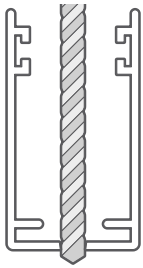
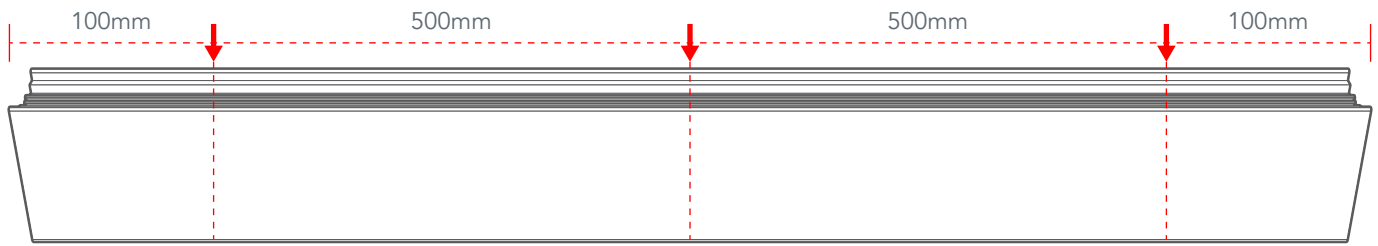


Drill the side frames

1



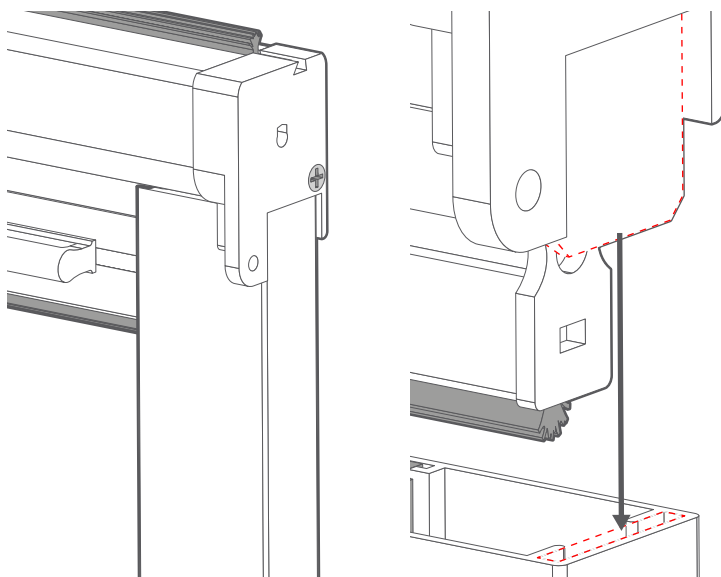
Start by making some holes for screwing in your side frames. Make a hole 100mm in from each end, then one approximately every 500mm (this doesn't have to be precise, as long as the holes are evenly distributed along the length of the side frames).

Top-Tip

Rest the side frame on a piece of wood or several layers of cardboard when drilling through them, to avoid your drill damaging the floor beneath.

Assemble the blind

2



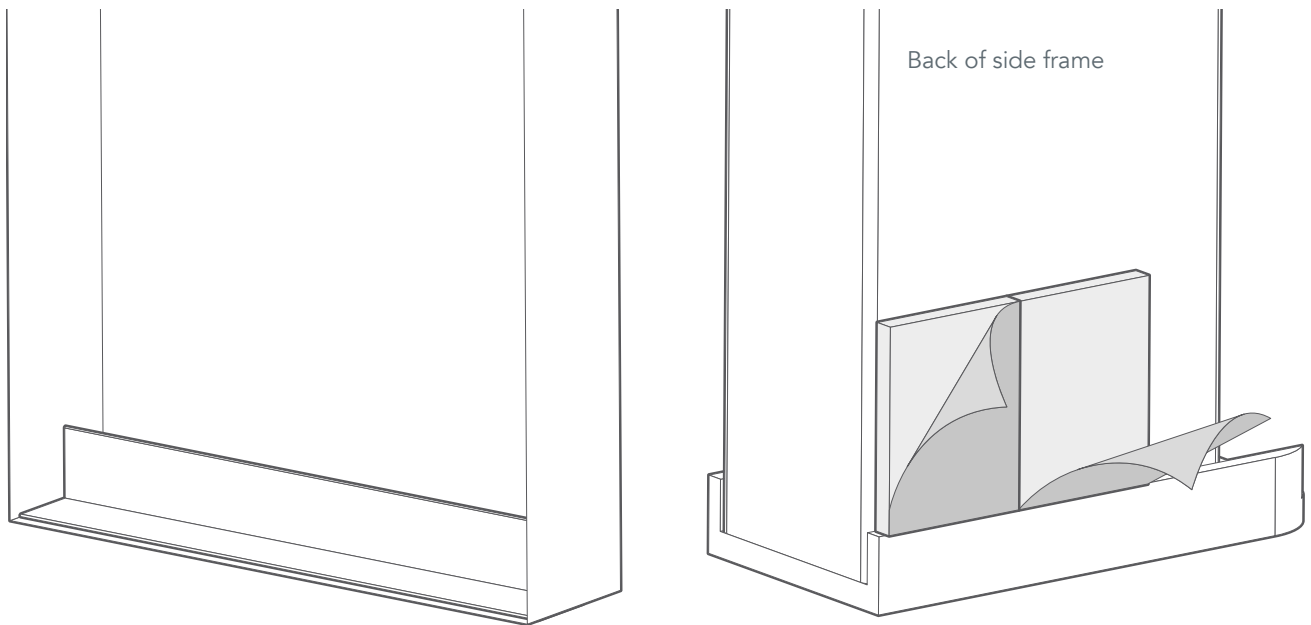
Slot the side frames onto the ends of the cassette - there is a slot at the top of the frame you can use to line it up correctly with the end of the cassette.

Left frame

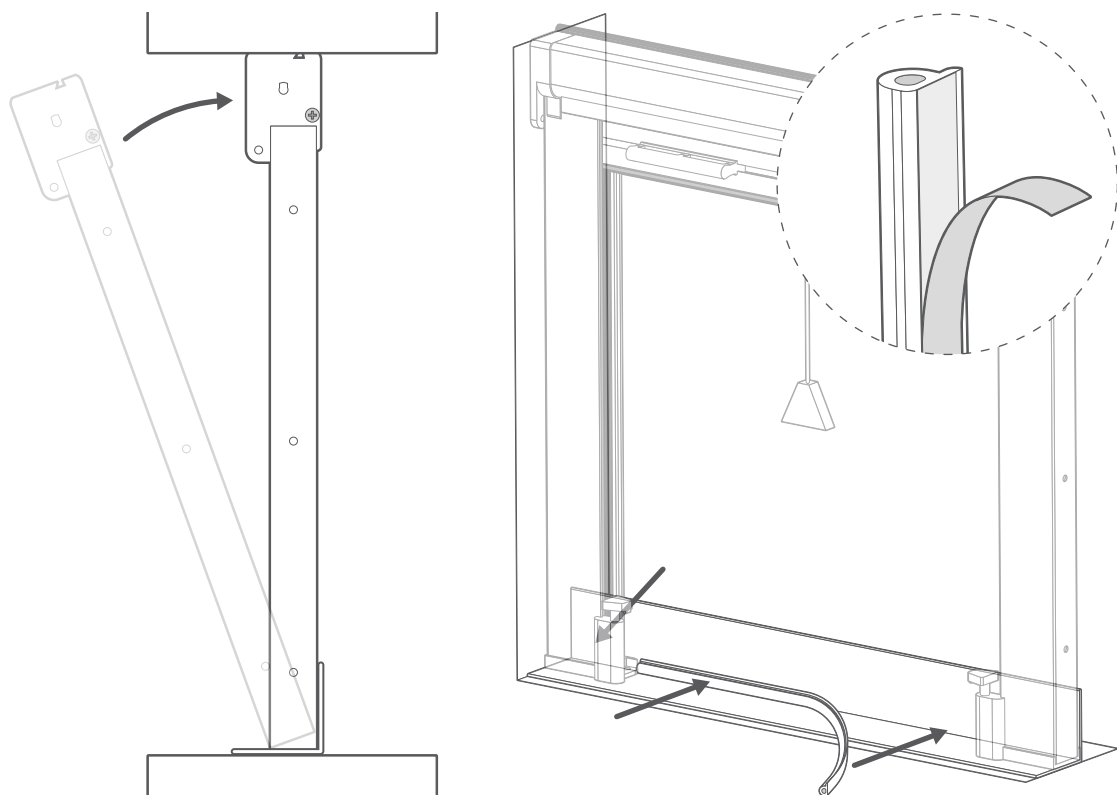
Right frame

Install the blind

3

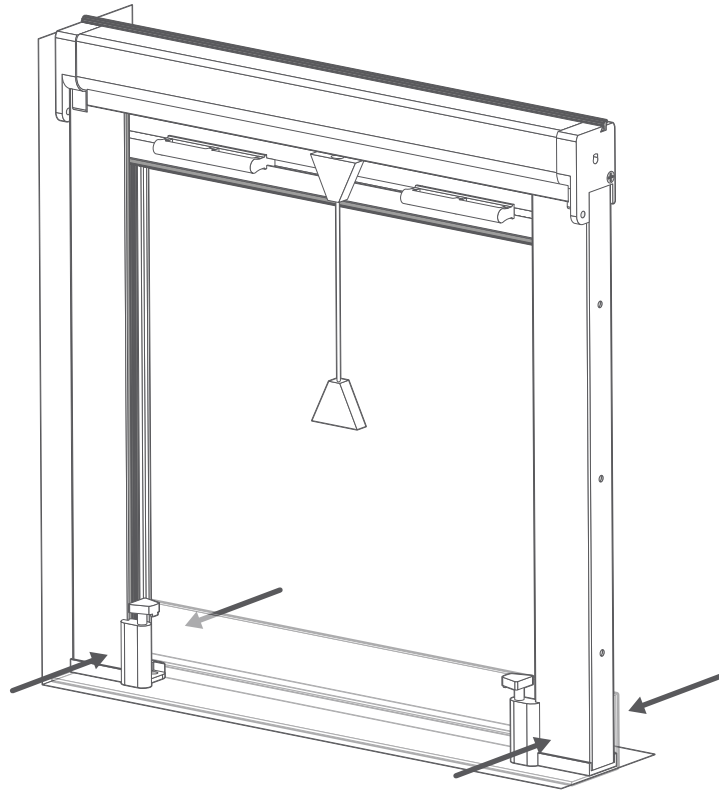


Take the blockout L-bar and place it at the bottom of the recess with its 'open' side facing you. On the back of each channel, at the bottom, is a set of sticky pads. Peel the cover from the pads on both channels.

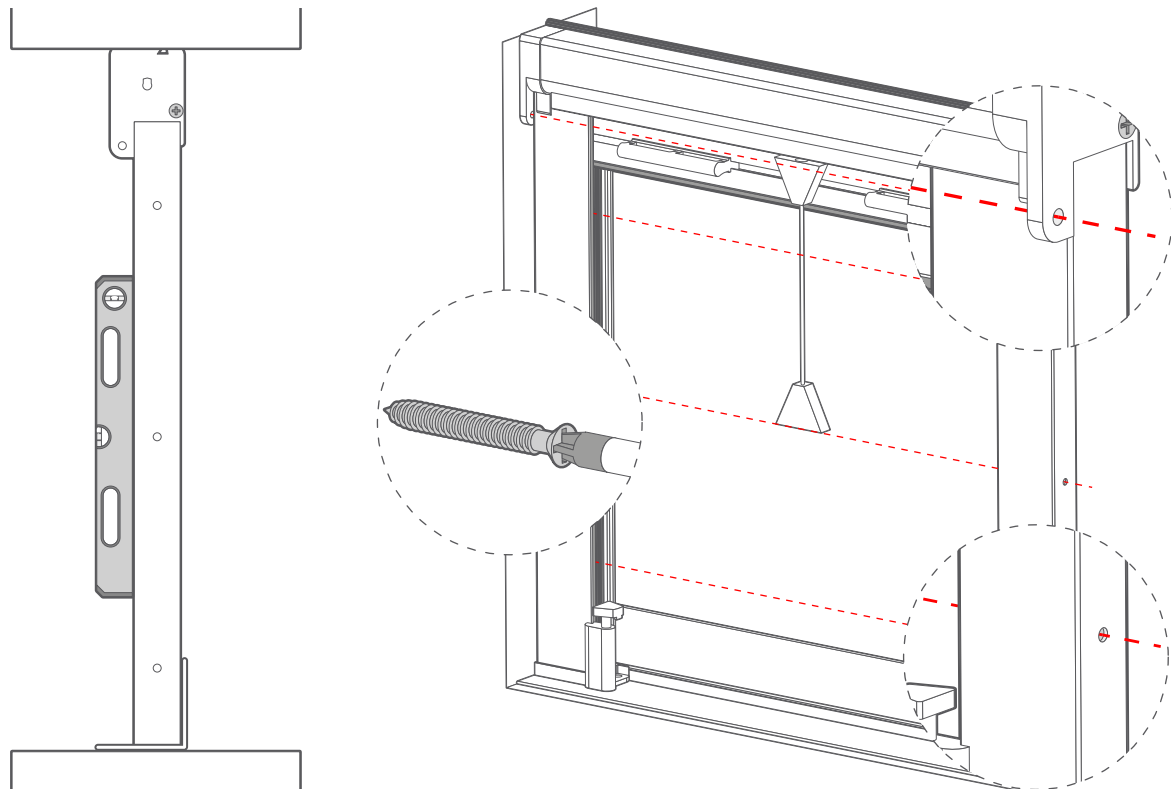


Rest the bottom of the blind in the L-bar and push the top of the blind into place in the top of the recess.

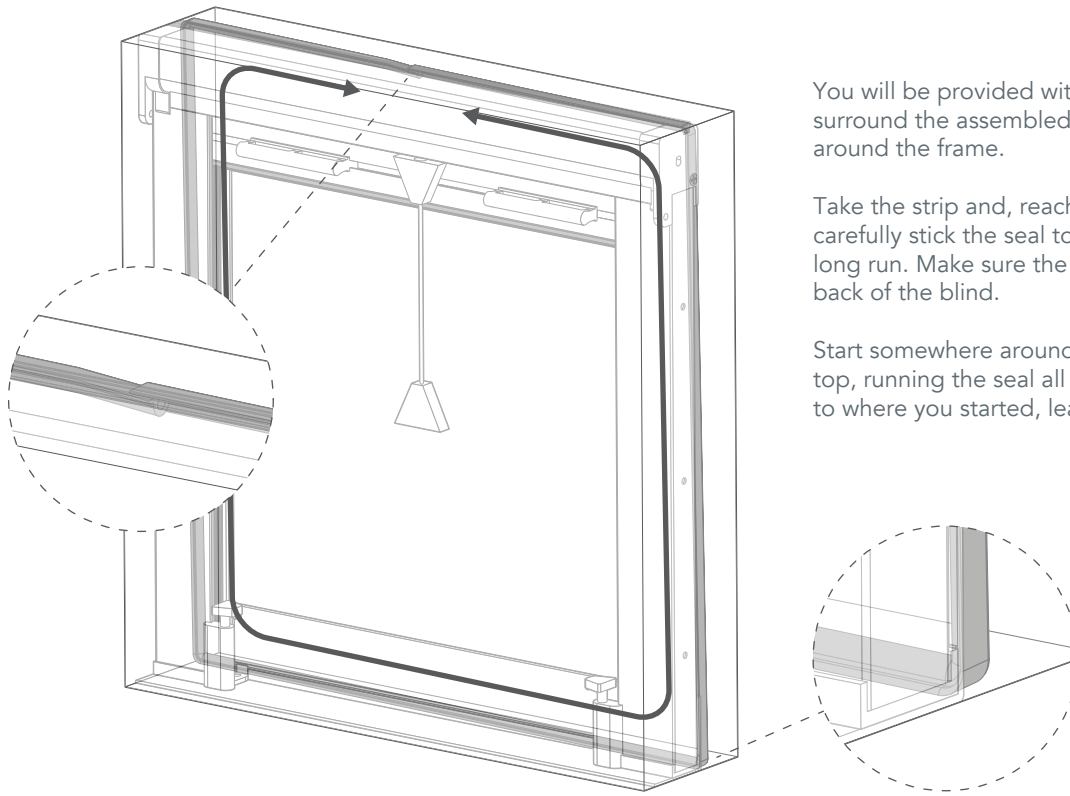
A flexible light-sealing strip is provided to fully block out light at the bottom of the blind. Cut a length of strip to size so that it fills the space between the plastic 'feet' of the side frames. Peel the adhesive cover from the back of the strip and press the strip into place in the inside of the L-bar.



Squeeze the L-bar and the blind's side frames against each other so that the sticky pads adhere securely to the L-bar.



Check both sides of the blind using a spirit level to make sure it's straight. Secure the blind with screws - start by securing the headrail using the screw holes in the end caps at either end. Next, secure the side frames with a screw at the bottom of each frame. Add screws through the remaining screw holes in the side frames to finish.



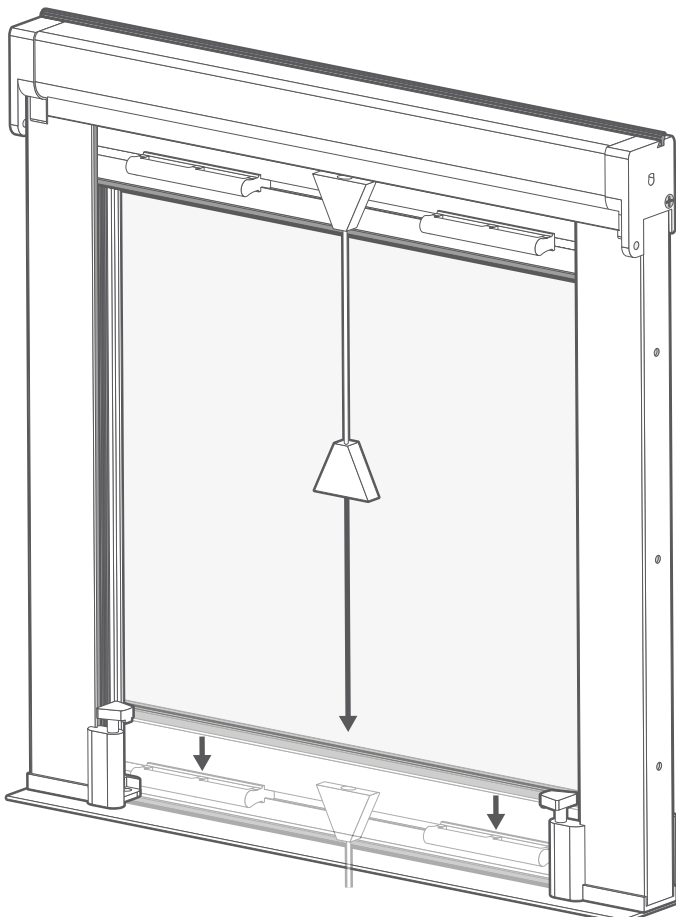
You will be provided with enough light-sealing strip to fully surround the assembled blind, to block any light gaps around the frame.

Take the strip and, reaching behind the installed blind, carefully stick the seal to the inside of the recess in one long run. Make sure the seal is tucked up tight against the back of the blind.

Start somewhere around the centre of the recess at the top, running the seal all the way around until getting back to where you started, leaving a small overlap.

Operating the blind

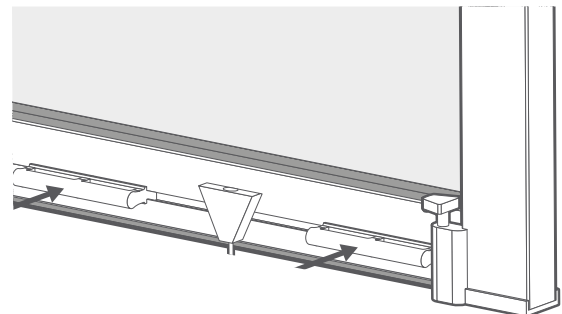
4



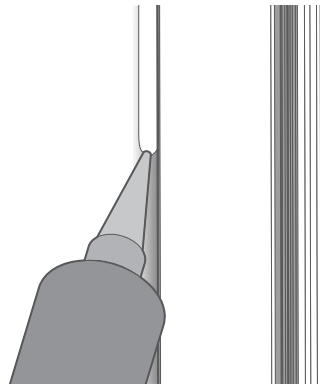
The blind uses a spring-loaded mechanism to self-raise.

Use the pull cord to lower the blind, then push down on the handles to lock it at the bottom.

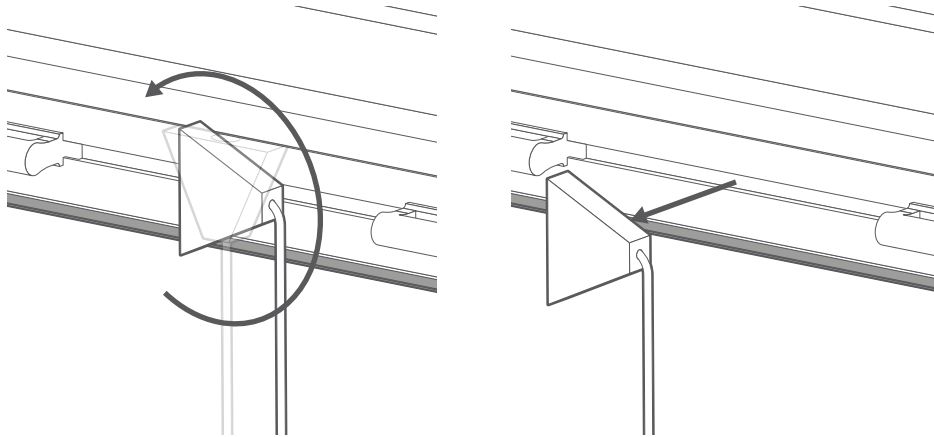
Push back against the handles to unlock the blind and allow it to raise.



Finishing touches



If you've installed the light sealing strip and notice that there is still a small amount of light leakage, you can use a line of sealant along each frame to seal it neatly from the front as well.



If you'd prefer not to have the pull cord on the front of the blind, this can be easily removed. Simply twist the cord mount on the front of the bottom bar in either direction then pull it out of the bar. Now the bar can simply be raised and lowered using the two handles.