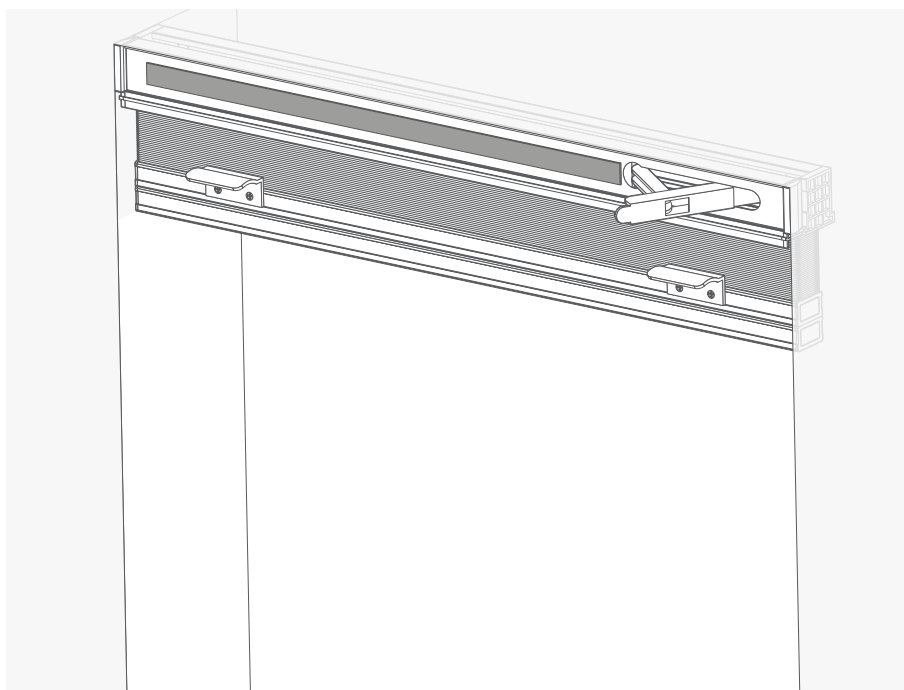
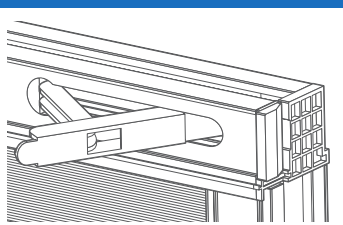


Fit the headrail into the recess

1

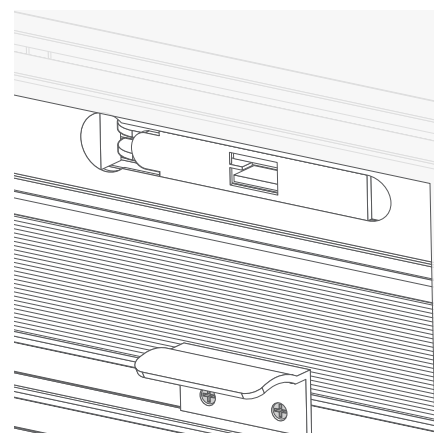
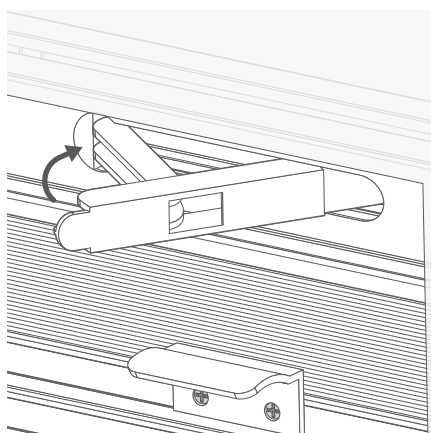
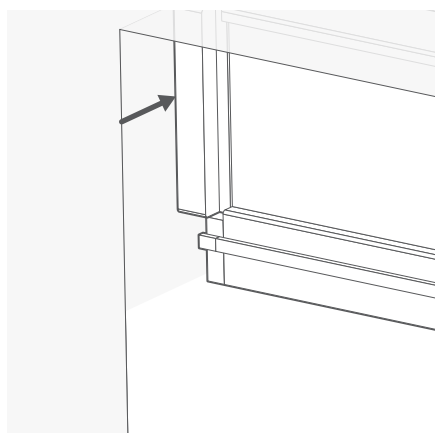


Raise the blind's headrail into the top of the window recess.



Top Tip

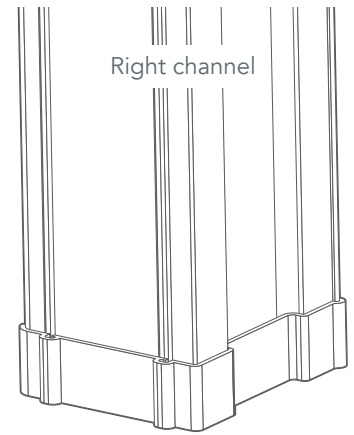
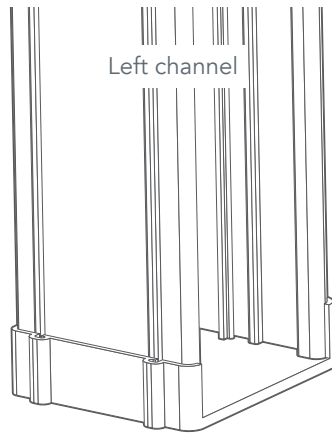
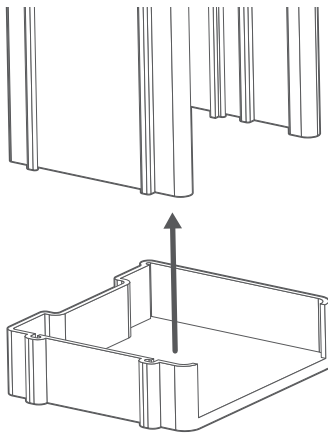
Ensure that the locking lever arm is loose, and the grip pad at the end of the headrail is flush with the rail, before moving on to the next step.



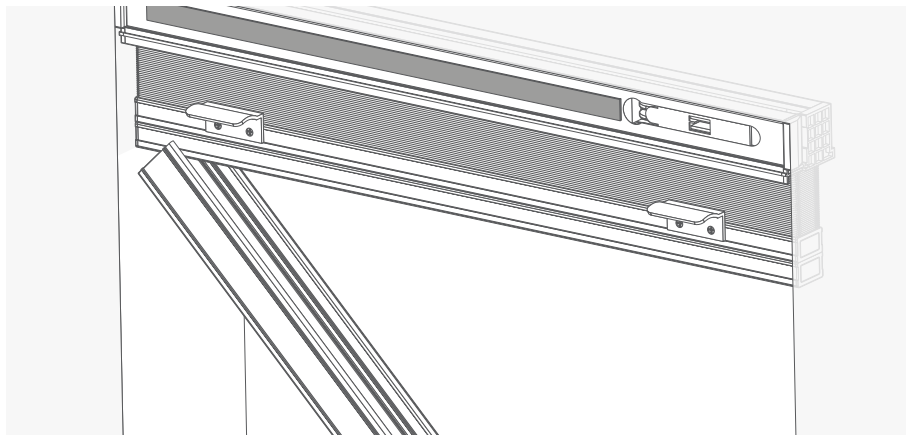
Leave a space of around 10mm between the front of the blind and the edge of the recess, so that there's space to fit the pelmet on the front later. Ensure that there is a gap of at least 50mm between the back of the blind and the window frame.

Now lock the blind in position using the locking lever in the headrail; holding the blind in position, push the lever back until it clicks into place and is flush with the rail. The blind's headrail should now be fixed solidly in place.

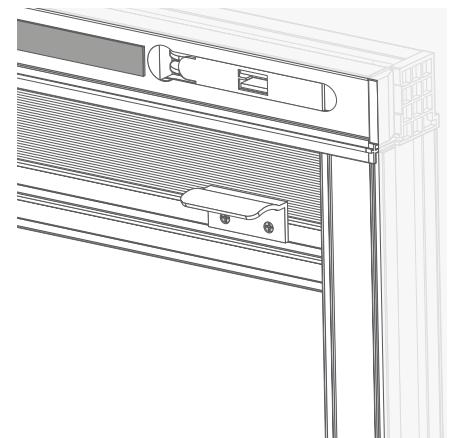
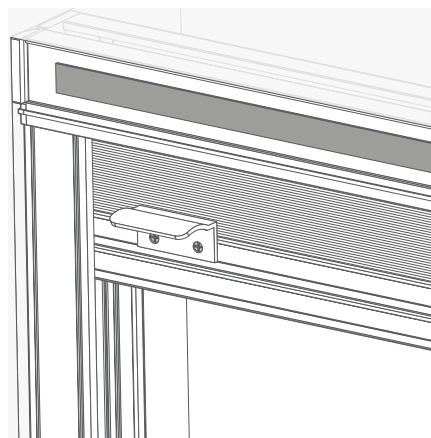
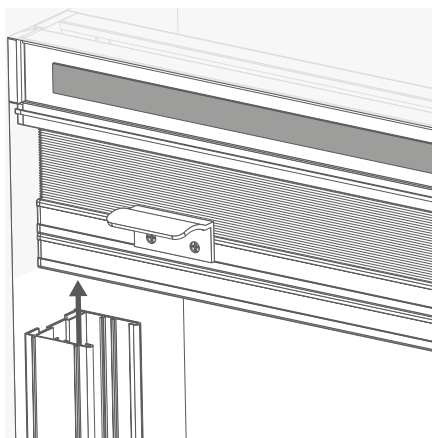
Fit the side channels



Slot the rubber caps onto the bottoms of the side channels.



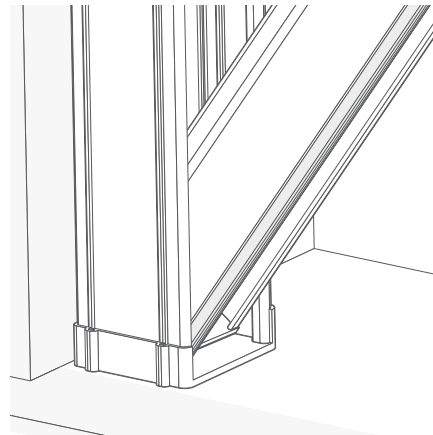
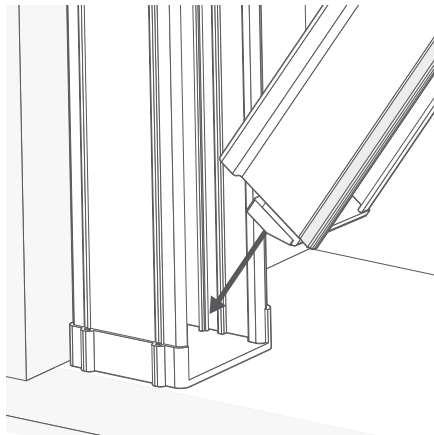
Holding the channel at an angle, align the open face of the channel over the blind's bottom bar.



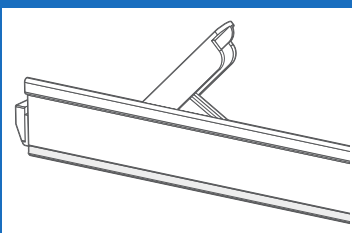
Push the channel upwards as you straighten it up, slotting it up onto the cap on the end of the blind's headrail, so that the channel sits flush against the underside of the headrail. Do the same for both side channels.

Fit the bottom bar and pelmet

3

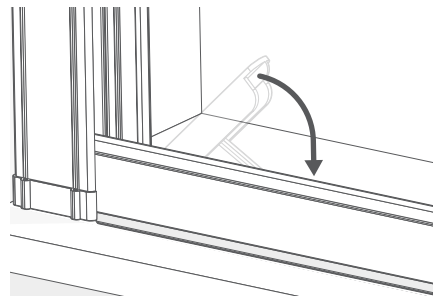
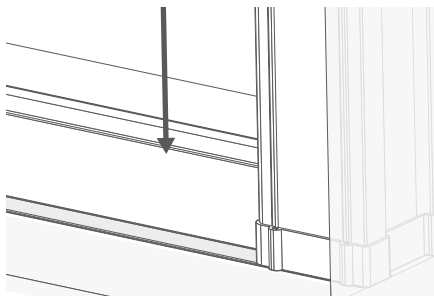


Insert the bottom bar into one of the side channels, with the bar angled up at the other end.

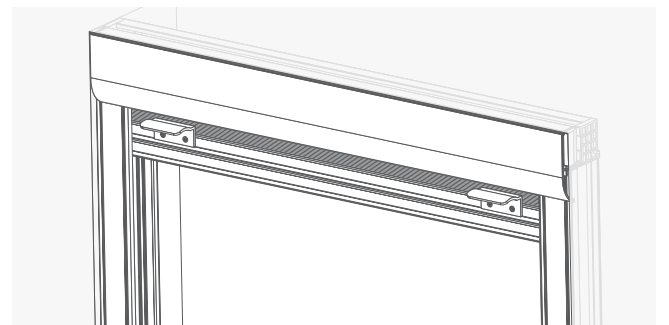
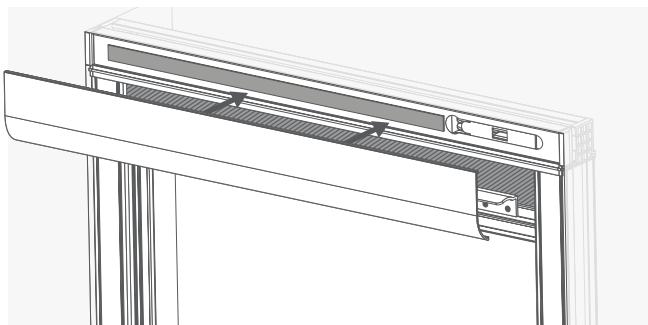


Top Tip

Again, ensure that the locking arm is raised and loose when you insert the bottom bar into the side channels.

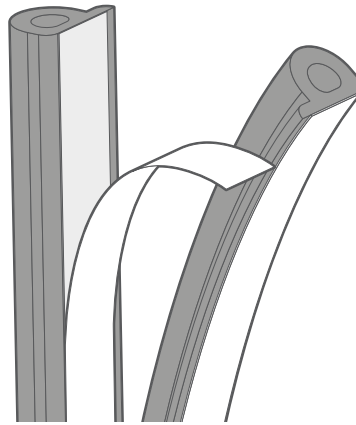


Push the raised end of the bottom bar firmly down until the bar is flat and level. Lock it into place by pushing the locking lever down until it snaps into place.

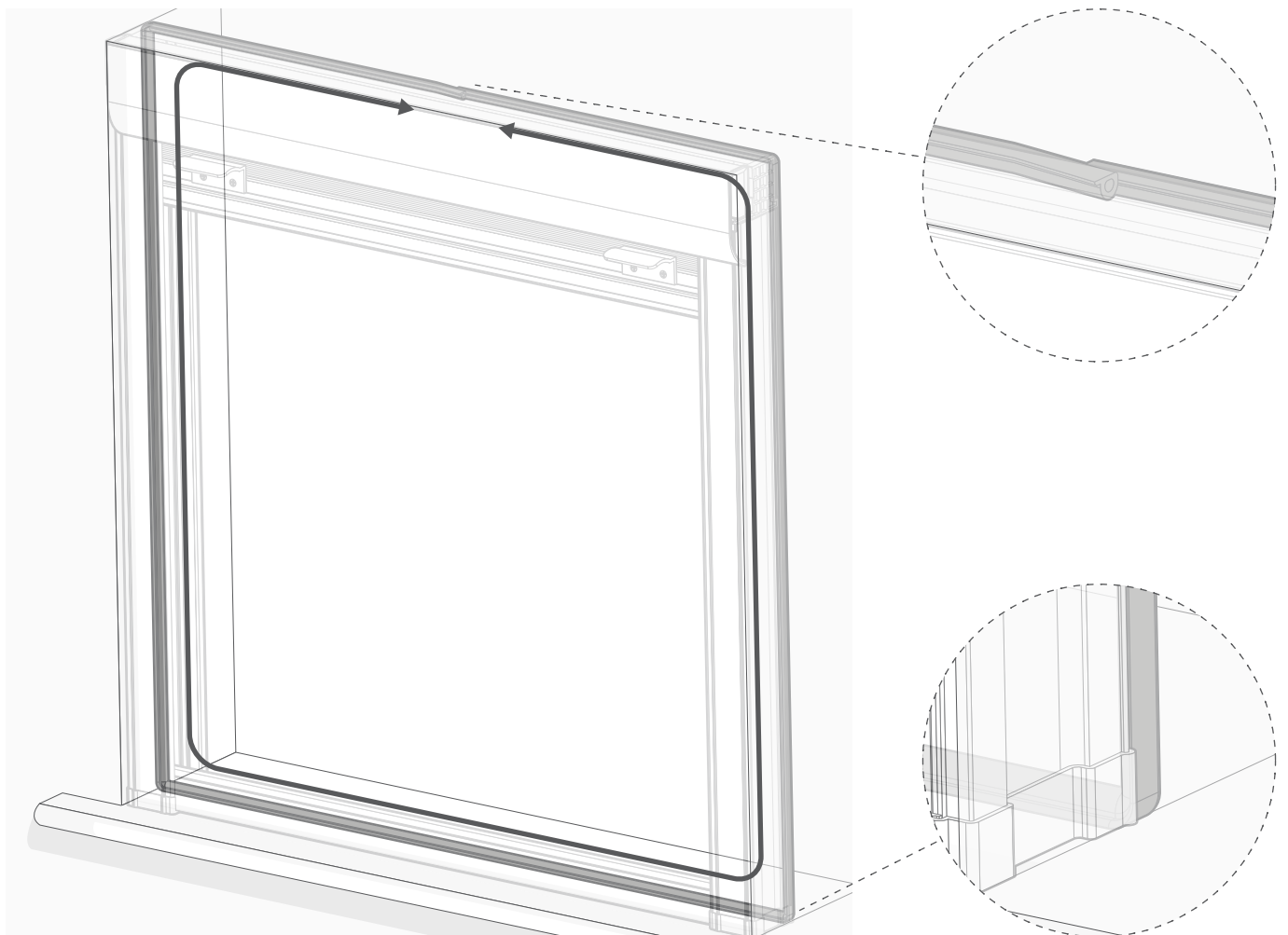


Finally, attach the pelmet to finish. The pelmet simply attaches with magnets, just line up the magnets on the back of the pelmet with the strip on the front of the blind's headrail and press into place.

Using the light-sealing strip (optional)



If you find that there are light gaps around the edges of the blind once it's fitted, and you've checked that it's level, then usually this is because the recess is uneven in some way. To help with this, light-sealing rubber seal is provided with your order. A double-length of sealing strip is provided on a roll with its two halves joined together. Start by gently separating the two halves at one end, and begin to peel away the adhesive cover.



Reach behind the blind and stick the strip to either the back of the frame or the inside of the recess - try to make sure that the seal is tight to both the back of the blind and the inside surfaces of the recess, even at the corners. Ideally the two ends of the strip should meet together around the centre at the top of the blind. Use a pair of scissors to trim away any excess, leaving a small overlap.